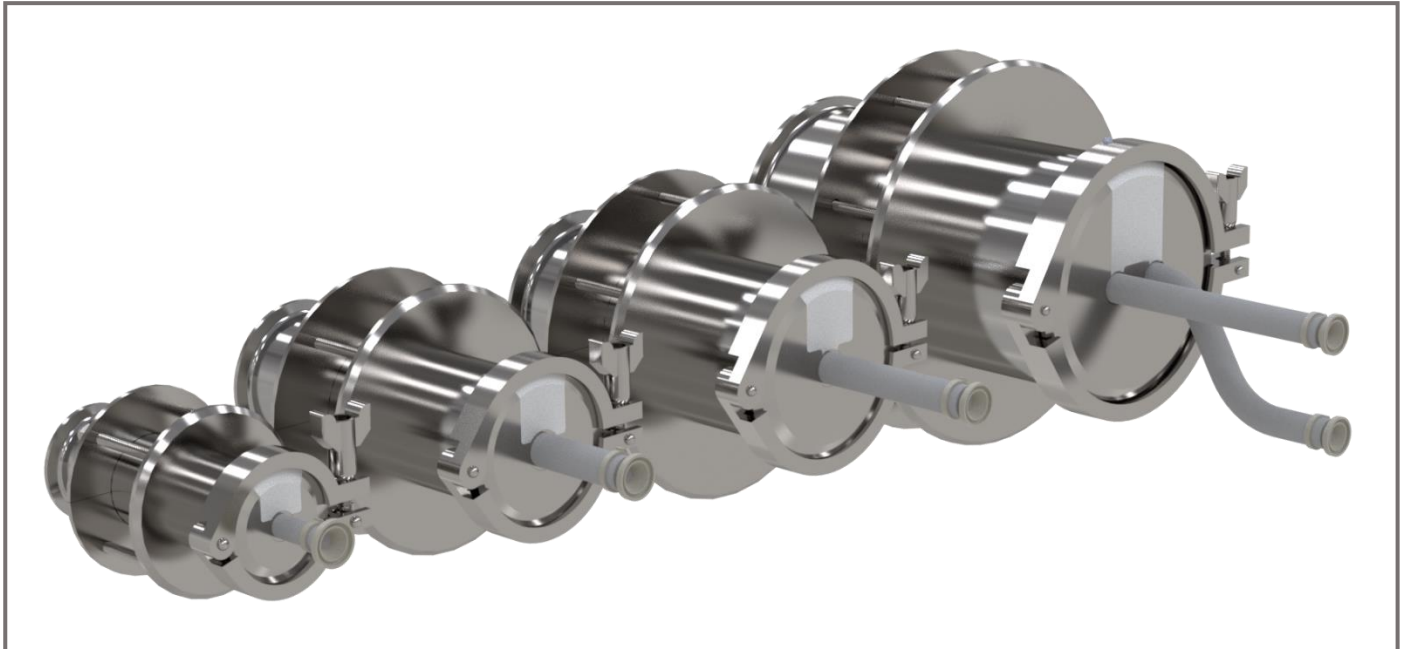




# Pass Thru Windows

Patent Pending



## A Pass-Thru Window for Tubing, Hoses, and Cables.

Cap assemblies are made to fit a variety of single use tubing sizes including flexible and braided tube assemblies, hoses, and cables.

### Key Attributes

- Easy to install, clean, and maintain.
- Uses standard sanitary gaskets and clamps for easy maintenance
- Cap assemblies available for single or multiple tube assemblies
- Cap assemblies snap together for ease of assembly and clean-ability
- 304L Stainless Steel, 316L Stainless Steel, Non-shedding Polymers

# Pass Thru Windows

## Pass Thru Cap Accessories

The Pass Thru Cap assemblies allow a tube or cable to be connected from one room to another while minimizing the transfer of air between the rooms. Caps are available for various diameters and quantities of tubes. Caps can be swapped out as needed for different manufacturing modes as needed.



Details

## Industry Standard cGMP Parts and Materials

When not in use, the Pass Thru Window can be capped off with a standard Sanitary End Cap, Gasket, and Clamp. If needed, parts can be replaced with readily available off the shelf components. Materials of construction are compatible with industry standard cleaning products.

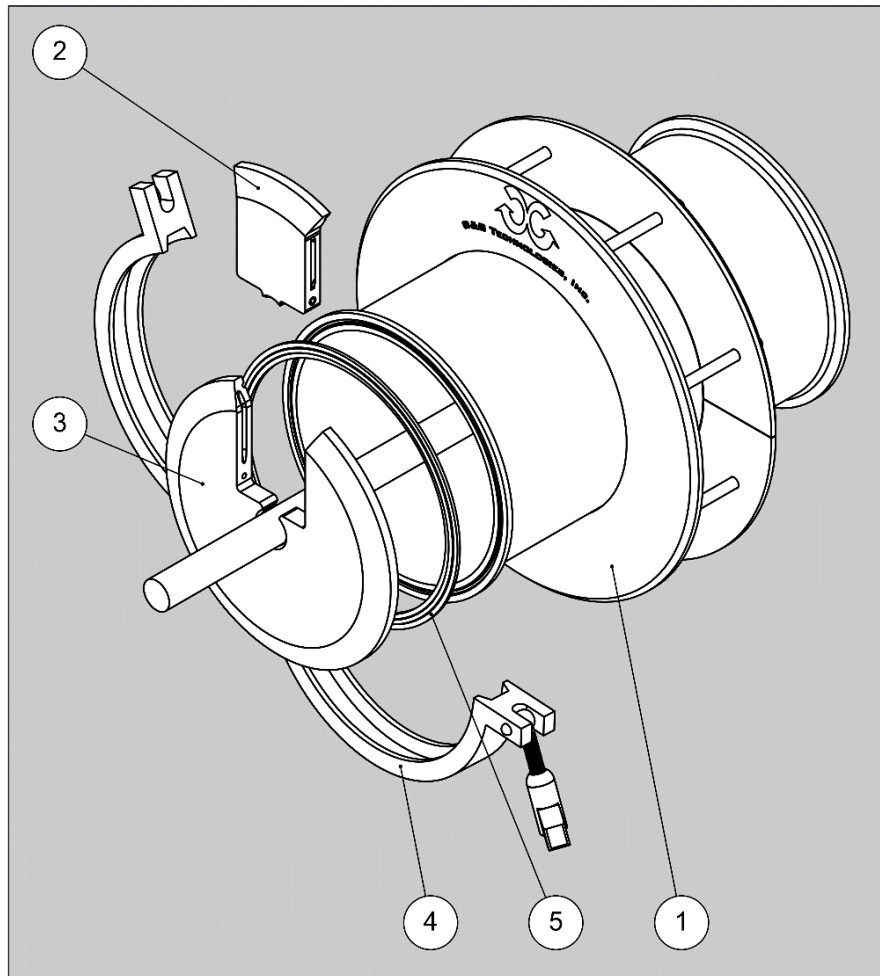


## Ease of Installation and Maintenance

A single person can pass through and secure tubing and cables through a wall with no additional tools. Tubing is placed into the round holes in the cap, and the gate is slid into the grooves to secure the tubing in place. The gate snaps to the cap letting you know you have securely assembled the pieces. The cap is then secured to the Pass Thru Window and connected with a clamp and gasket just like with a standard sanitary ferrule.



# Pass Thru Windows

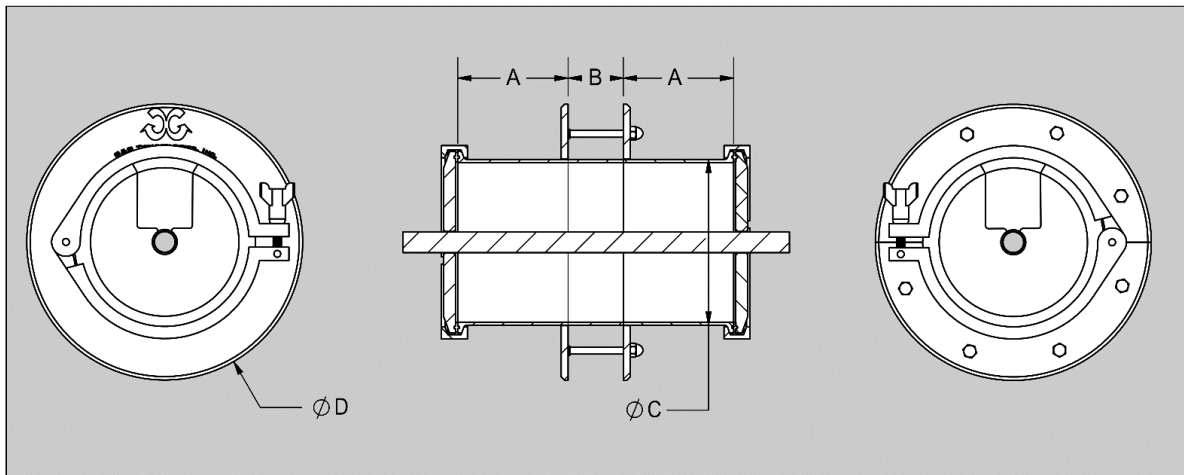


## Parts and Materials of Construction

### Standard Materials of Construction

Item No.	Description	Materials Available
1	Pass Thru Window	316 Stainless Steel and 304 Stainless Steel
2	Snap-In Gate	Delrin, Polypropylene, PTFE, Nylon
3	Pass Thru Cap	304 Stainless Steel, 316 Stainless Steel
4	Sanitary Quick Clamp	White Nylon, 304 Stainless Steel, 316 Stainless Steel
5	Sanitary Gasket	EPDM, PTFE, Silicone, or Any Standard Polymer

# Pass Thru Windows



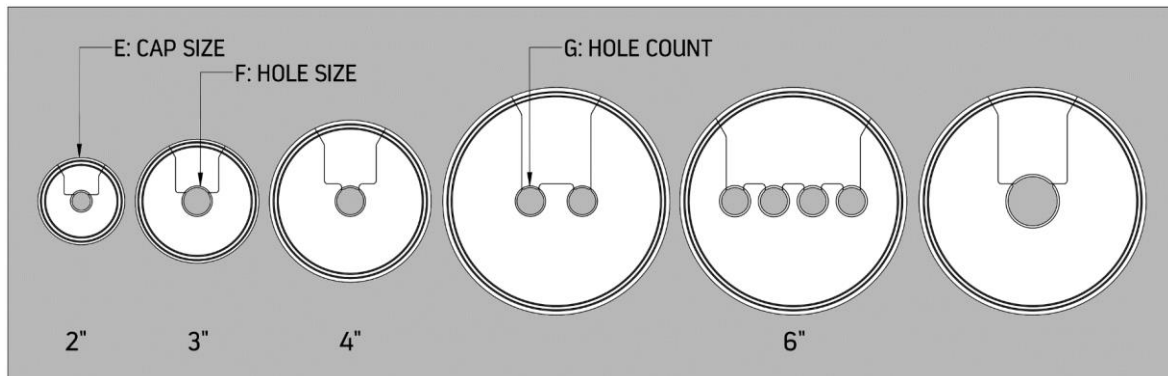
## Standard Sizes

Dimensions (Inches)

Tube Size*	A**	B**	C	D**
2"	1.75"	2"	1.87"	4"
3"	2"	2"	2.87"	6"
4"	2"	2"	3.87"	7.5"
6"	3"	2"	5.78"	10"

\*Larger Dimensions available upon request

\*\*Dimensions can be made to order



## Cap Accessories

Dimensions (Inches)

E: Tube Size	F: Hole Size	G: Hole Qty*
2"	1/8" thru 7/8"	1
3"	1/8" thru 1-1/8"	1
4"	1/8" thru 1-1/2"	1 thru 2
6"	1/8" thru 1-3/4"	1 thru 4

\*Can be made to order

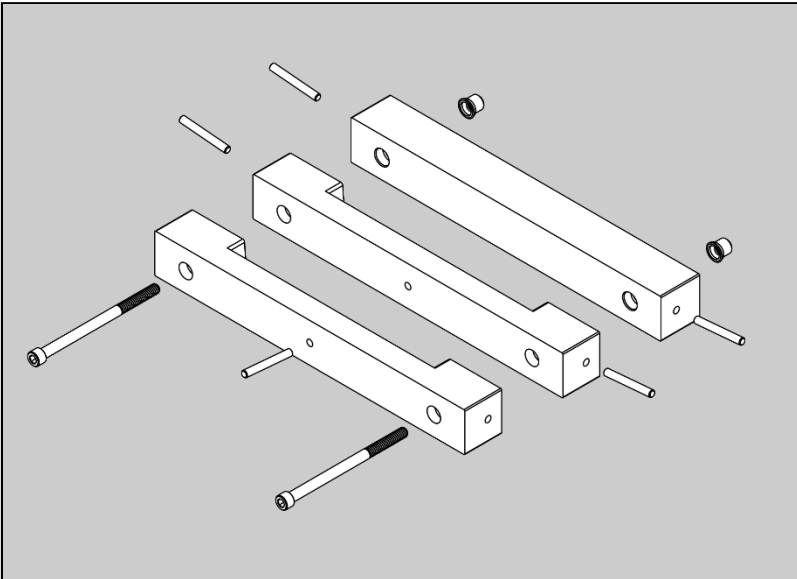
# Pass Thru Cap Holders

## Pass Thru Cap Holders

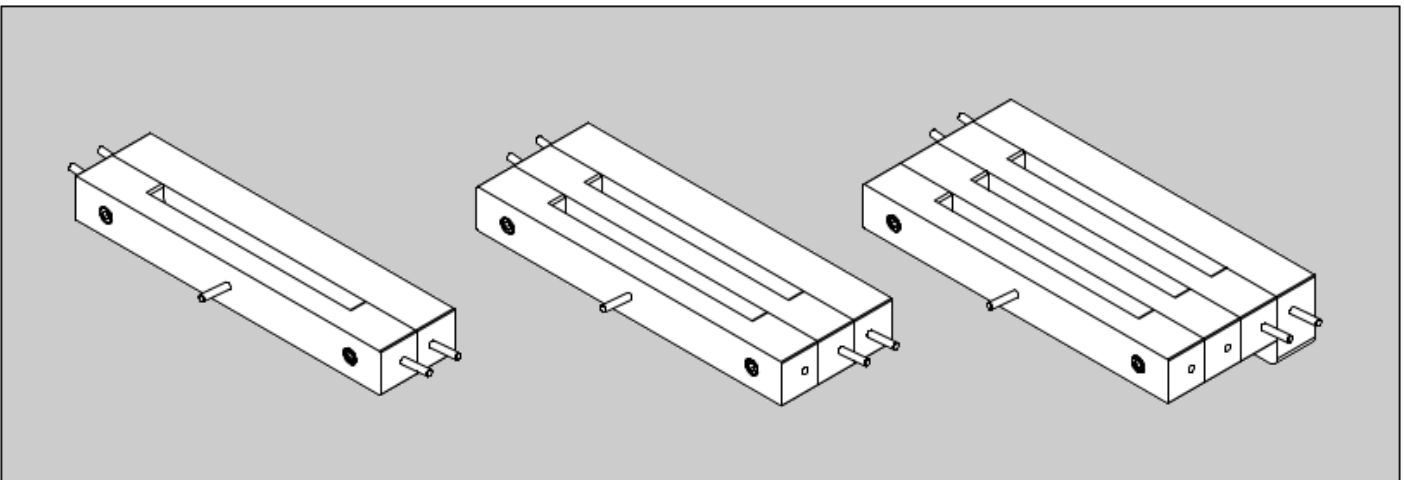
The configurable Pass Thru Cap holders are used for the storage of caps, gaskets, and clamps which are not in use. The stackable design allows for quick future additions of hardware. They can be used to hold up to three caps and are compatible with standard sanitary components. The holder can be fastened to hollow-core walls with the use of rivet nuts. They are fabricated from White Acetal and 18-8 Stainless Steel for durability and chemical compatibility.



## Modular Expandable Design



## Configurations for One, Two, or Three Caps



Cap Holders

# Fire-Stop Blocks

## Fire-Stop Blocks

Insert your tubing or cables into the fire-stop blocks inside of the Pass Thru to give your Pass Thru 2 hr F and 1 hr T rating. G&G's Fire-Stop Blocks are made from a medium density closed cell foam which breaks away and fills void in the Pass Thru to offer protection from fire, heat transfer, smoke, and gases. The Fire-Stop Blocks come in the same variety of configurations as the Pass-Thru Caps

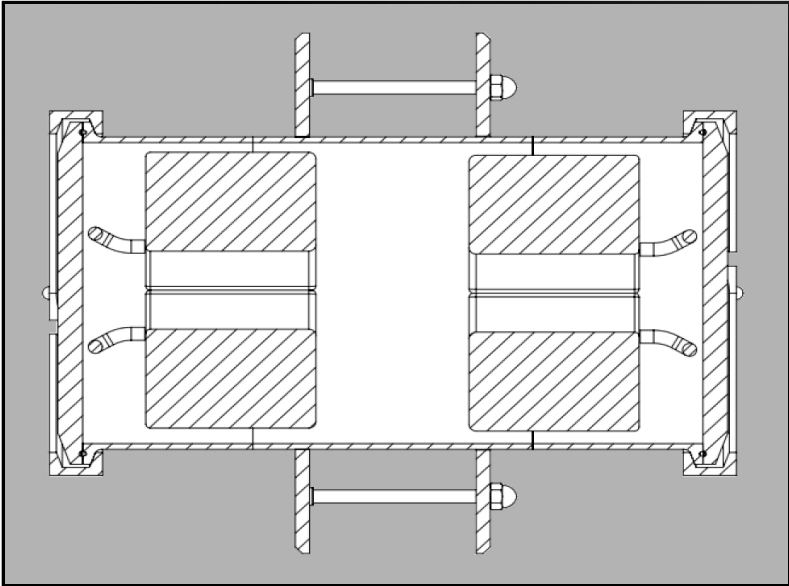
### Specifications

Performance: 50+ Years HOAC Tested  
Intumescent Expansion: 4x-8x

### Ratings

ASTM E814: 2 hr F / 1 hr T Rating  
UL 1479: 2 hr F / 1 hr T Rating  
ASTM E662 & FAR 25.853

## Multi-Use and Modular Design



Fire-Stop Blocks