



G&G TECHNOLOGIES, INC.

6 Grandview St.  
Coventry, RI 02816  
401-295-4000

[www.ggtechnologies.com](http://www.ggtechnologies.com)

## Flex Skids and Flex Carts

The Flex Cart Platform is the perfect solution to facilitate the scale-up processes. This highly adaptable platform is infinitely configurable, making it easy to accommodate your specific equipment needs. With the Flex Skid, you can seamlessly transition from bench scale to pilot scale to production scale, all on a single, flexible platform. Our system offers a-la-carte accessories such as Filter Holders, pumps, valves, and sensors, allowing you to tailor the platform to your exact requirements. For maximum flexibility, you can run your process using a G&G Configurable Pump module with modular heads that match your desired flow rate. Experience unparalleled ease and efficiency in scaling up your processes with the Flex Skid Platform.



- Single or Multi- Pump systems
- Clamp-On or Single-Use Flowmeters
- Single-Use or Non-Invasive Pressure Sensors
- Integrated HMI
- Manual Pinch Valves
- Automated Pinch Valves
- Configurable for Nanofiltration, TFF, Depth Filtration, and more.
- 304 SS / 316 SS Construction

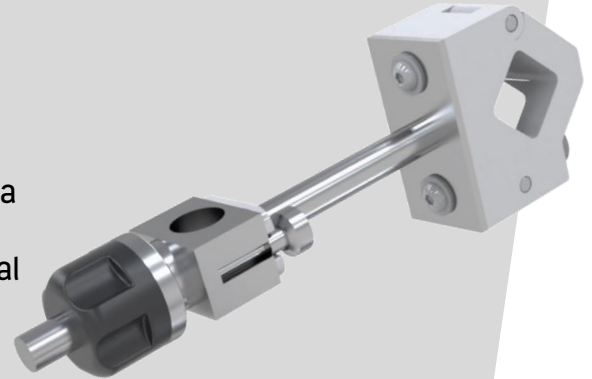
Solutions for Classified Environments are available



# Flex Cart Accessories

## Valves and Tube Guides

Attach these manual pinch valves or tube holders to the horizontal racks on the skid. These clamp into place with a single thumb screw without the need for tools. To adjust the positioning of the valve or tube guide on the horizontal rack, simply loosen the thumb screw and slide it into the desired location.



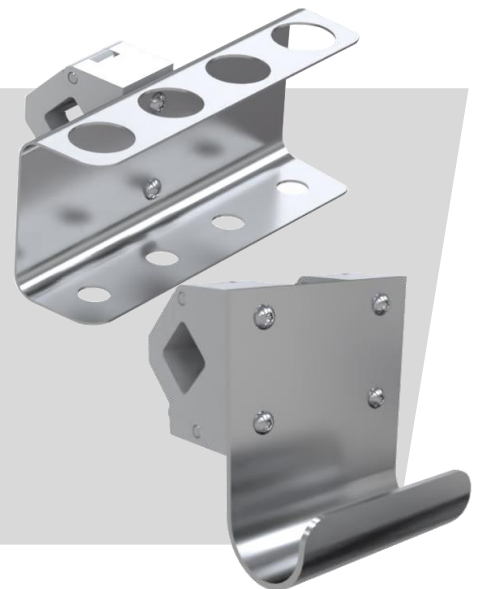
## Filter Holders

The flex carts are designed to accommodate any required filter configuration and come with options for both rigid and pivoting mounting clamps. Additionally, saddles, straps, and other mounting solutions are available upon inquiry with G&G.



## Bag Hangers and Test Tube Holders

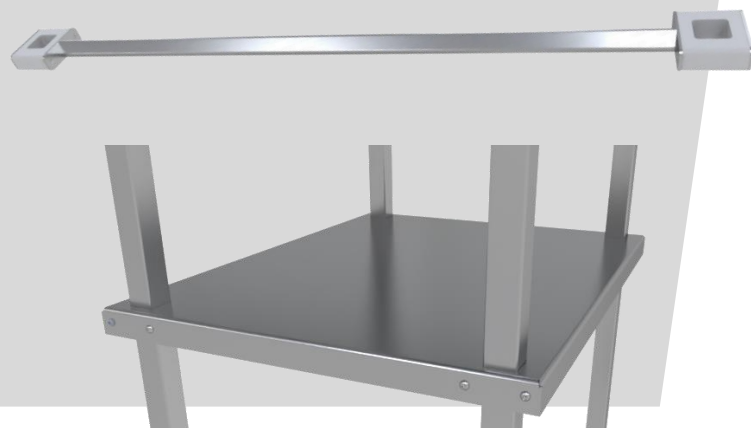
Attach these holders to the horizontal racks on the skid. These accessories come in a variety of form factors to fit your needs, and custom solutions are available.



# Flex Cart Accessories

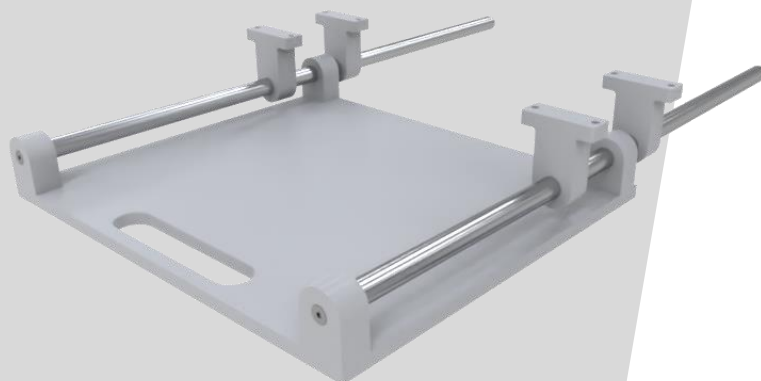
## Adjustable Racks and Shelves

These adjustable racks and shelves can change elevation with basic tooling. The horizontal racks accommodate the clamp-on accessories.



## Laptop Trays

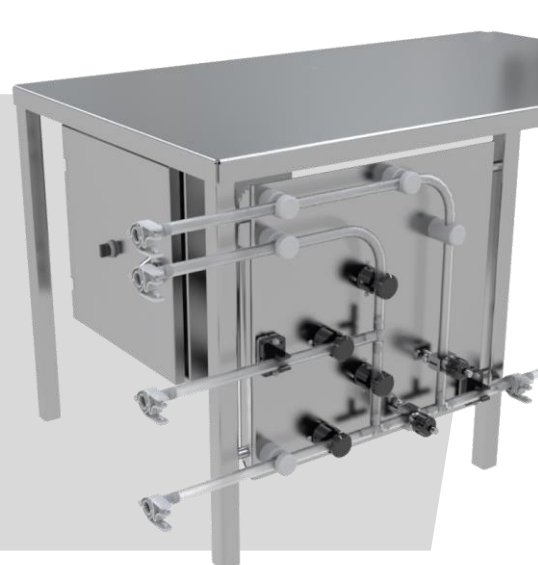
These sliding trays mount below the tabletop. They pull out to allow for additional workspace and can accommodate keyboards or laptops.



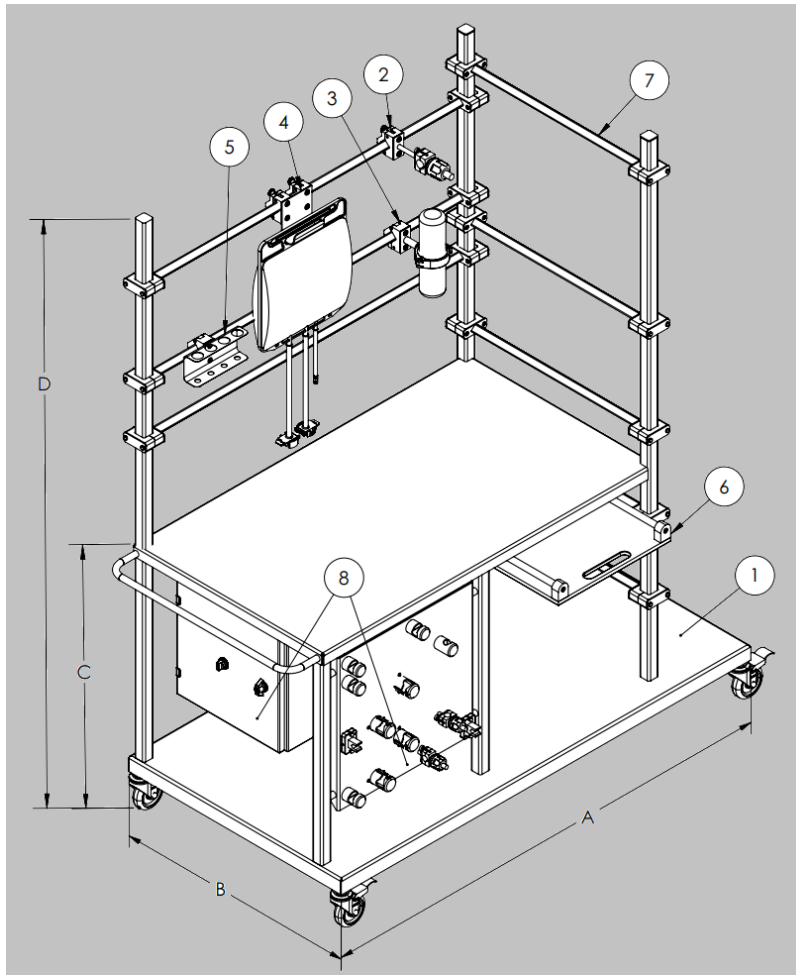
Details

## Valve Switching Panels

Perfect for processes with multiple fluids, such as Diafiltration, Buffer Exchange, Viral Inactivation and more. These panels require sources of pneumatic and/or electrical energy and digital signals to prompt the actuation of the valves. Inquire with G&G Technologies regarding automation packages.



# Cart Dimensions and Components



## Accessories

Item No.	Description	Materials of Construction
1	Extendend Base	304 SS / 316 SS
2	Pinch Valve	304 SS / White Acetal
3	Filter Holder	304 SS / White Acetal
4	Bag Holder	304 SS / White Acetal
5	Test Tube Holder	304 SS / White Acetal
6	Laptop Tray	304 SS/ White Acetal/ HDPE
7	Horizontal Racks	304 SS / White Acetal
8	Valve Switching Panel	304 SS / White Acetal / Anodized Aluminum

Components